

## USER MANUAL

# FLAT-PAR 7 HEXA

Please read carefully before use.



- + RED-GREEN-BLUE
- + WHITE-AMBER
- + ULTRAVIOLET



[WWW.LIGHT-INC.NL](http://WWW.LIGHT-INC.NL)

Unpacking: Thank you for purchasing the FLAT-PAR 7 HEXA. Every FLAT-PAR 7 HEXA has been tested and shipped in perfect operating condition. Carefully check the shipping carton for damage that may have occurred during shipping. If the carton appears to be damaged, carefully inspect your fixture for any damage and be sure all equipment necessary to operate the unit has arrived intact. In the event damage has been found or parts are missing, please contact our toll free customer support number for further instructions. Please do not return this unit to your dealer without contacting customer support first.

Introduction: The FLAT-PAR 7 HEXA has four DMX mode. The fixture can operate in three different operating modes; DMX control, sound-active, or in a Master/Slave configuration. The FLAT-PAR 7 HEXA comes with several built in programs that can be used, while operating as a dimmer unit or when used in multiples linked in a master/slave configuration. For best results use fog or special effects smoke to enhance the beams projections.

Warning! To prevent or reduce the risk of electrical shock or fire, do not expose this unit to rain or moisture.

Warning! This may cause severe eye damage. Avoid looking directly into the light source at all times!

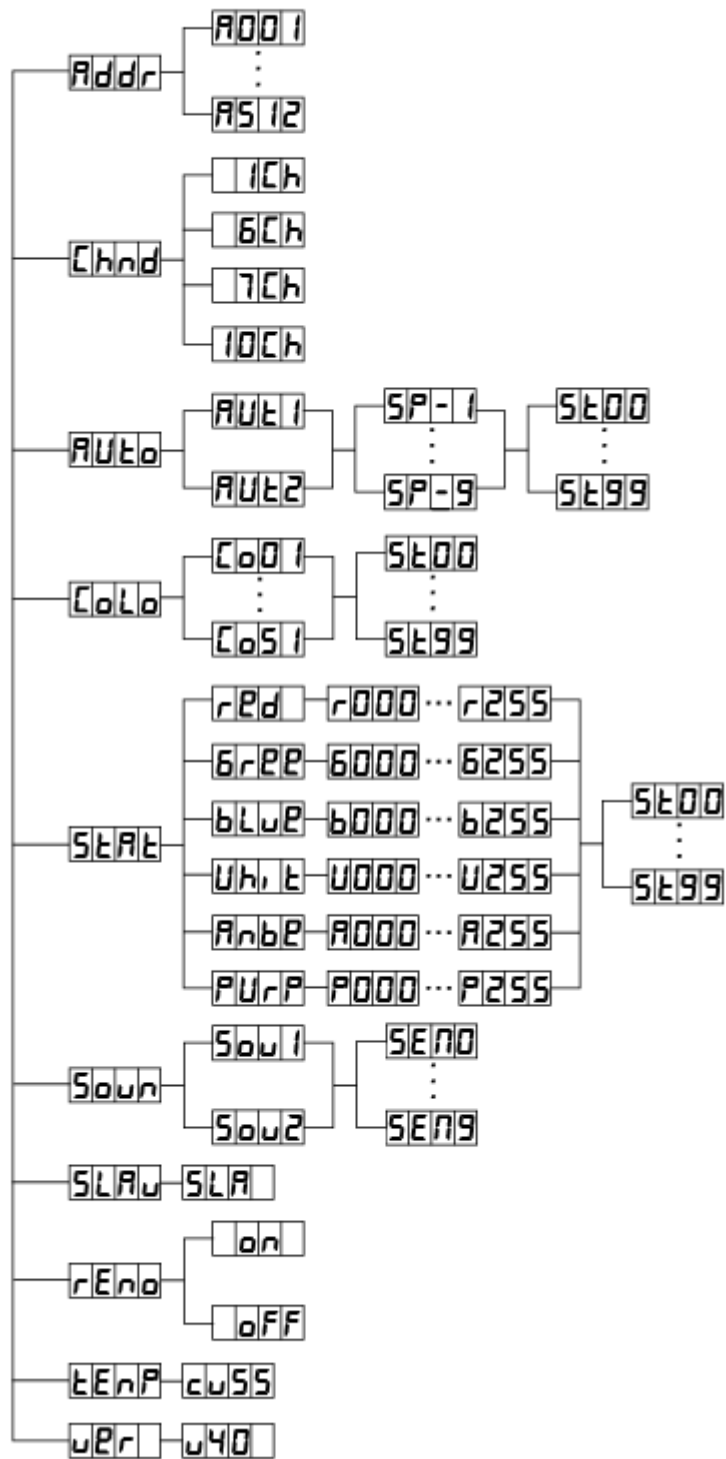
## Features of FLAT-PAR 7 HEXA

- Color Strobe Effect
- Color Mix Effect
- LED Chases (Adjustable Speeds)
- Electronic Dimming 0-100%
- Built in Microphone
- DMX-512 protocol
- Four DMX Modes
- 3 Operating Modes - Sound Active, Master/Slave Mode, and DMX Control
- DMX-512 Protocol Compatible
- Digital Display for Address and Function Setting

## Model: FLAT-PAR 7 HEXA

- Light Source: 7pcs , 12W 6 in 1 LED
- Beam Angle: 20°
- Life Time: 80000-100,000 hours
- Dimming 0-100%with regulated constant color control
- Strobe: 10 Flashed per second (any color)
- Operation Mode: DMX 512,Manual.sound.internal program
- DMX control: 4 DMX mode,(1CH,6CH,7CH,10CH)
- Control panel: Digital 4 characters alphanumeric
- Input voltage: AC100-240V, 50-60HZ (Power supply switch)
- Max Power: 90W
- Maximum Ambient Temperature: 40°C
- G.W: 2.1kg

## On Board System



#### Addr - DMX Address Setting via control board

1. Tap the MENU button and UP button or DOWN button until "Addr" is displayed, press ENTER.
2. "Axxx" will now be displayed, "x" represents the displayed address. Press the UP or DOWN buttons to find your desired address.

#### Chnd- This menu will let you select the channel

1. Tap the MENU button until "Chnd " is displayed, press ENTER.
2. Press UP or DOWN to select the channel

#### Auto -This menu will let you select your desired auto mode

1. Tap the MENU button and UP button or DOWN button until "Auto" is displayed, press ENTER.
2. "Autx" will now be displayed, You can confirm two modes by UP or DOWN for auto mode.

#### Stat- This menu will let you select your desired static color mode and strobe mode

1. Tap the MENU button until "Stat" is displayed, press ENTER.
2. There will be five options. Press ENTER can select the option and press UP or DOWN button can select the value you desire as below.

- 1) red~R000~R255
- 2) gree~G000~G255
- 3) blue~B000~B255
- 4) uhie~U000~U255
- 5) anbe~A000~A255
- 6) purp~P000~P255

#### Soun - This menu will let you select your desired sound mode

1. Tap the MENU button until "Soun" is displayed, press ENTER.
2. "Soux" will now be displayed, you can confirm two modes by UP or DOWN for sound mode.

SLav- This menu will let you select your desired Master/Slave mode

1. Tap the MENU button until "SLav" is displayed, press ENTER.
2. "Sla " will now be displayed, Slave mode is confirmed. It will be slaved by auto mode sound mode and chase mode

reno - This menu will let you select to close or open the infrared

1. Tap the MENU button until "reno" is displayed, press ENTER.
2. "on" or "off" will now be displayed, you can select to close or open the infrared.

temp - This menu will display the temperature control function

1. Tap the MENU button until "temp" is displayed, press ENTER.
2. "cuXX " will now be displayed, when the light working, it's temperature above 55 degrees, then the fan will start work and start the cooling function. If the temperature less than 55 degrees, the fan doesn't work, no any noise. But if the fan is broken, it will automatically cut off the power supply.

uer-This will display the software version

1. Press the UP or DOWN button until "uer" is displayed, press ENTER.
2. The software version will be displayed.

## DMX control mode

### DMX Mode 1:1CH

Channel	Value	Function
ch1	0-255	Color select

### DMX Mode 2:6CH

Channel	Value	Function
ch1	0-255	Red (0%--100%)
ch2	0-255	Green (0%--100%)
ch3	0-255	Blue (0%--100%)
ch4	0-255	White (0%--100%)
ch5	0-255	Amber (0%--100%)
ch6	0-255	Purple (0%--100%)

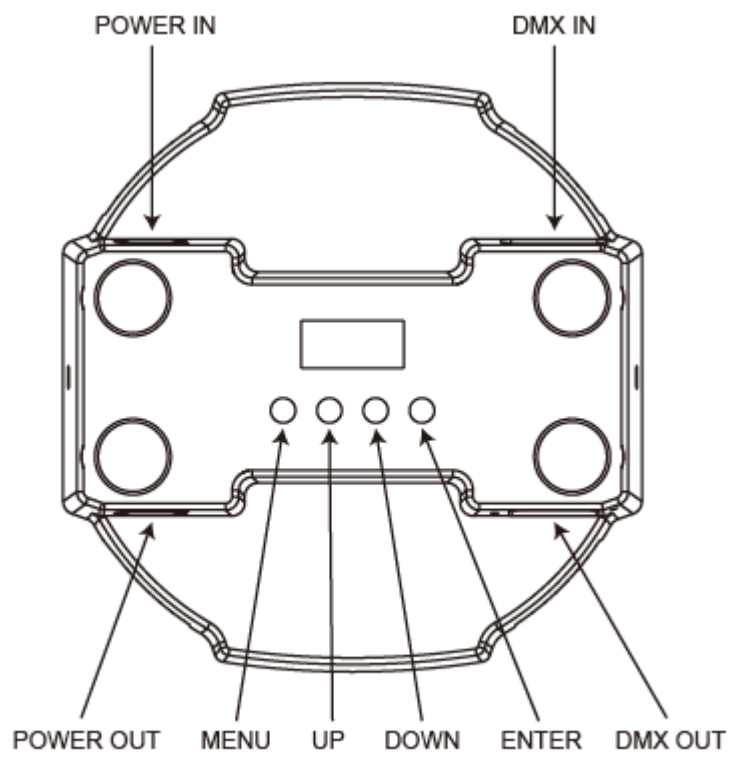
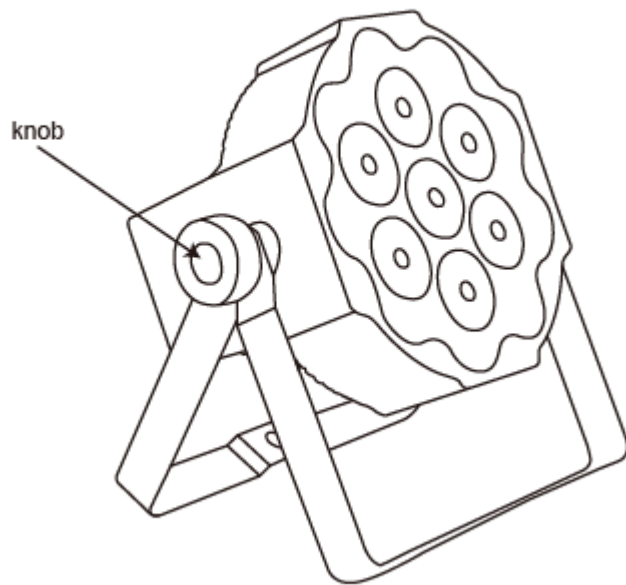
### DMX Mode 3:7CH

Channel	Value	Function
ch1	0-255	dimmer (0%--100%)
ch2	0-255	Red (0%--100%)
ch3	0-255	Green (0%--100%)
ch4	0-255	Blue (0%--100%)
ch5	0-255	White (0%--100%)
ch6	0-255	Amber (0%--100%)
ch7	0-255	Purple (0%--100%)

### DMX Mode 4:10CH

Channel	Value	Function
ch1	0-255	dimmer (0%--100%)
ch2	0-255	Red (0%--100%)
ch3	0-255	Green (0%--100%)
ch4	0-255	Blue (0%--100%)
ch5	0-255	White (0%--100%)
ch6	0-255	Amber (0%--100%)
ch7	0-255	Purple (0%--100%)
ch8	0-50	Dimmer
	51-101	Run auto mode 1
	102-152	Run auto mode 2
	153-203	Run sound mode 1
	204-255	Run sound mode 2
ch9	0-255	When CH 7 value=51—152, CH 8 adjust speed (0—255, from slow to fast). When CH 7 value=153—255, CH 8 adjust sound sensitivity (0—29=close,30-255=low to high)
ch10	0-9	No strode
	10-255	Strode from slow to fast

## Product Overview





## IR Controller



Power on/off button



DMX button, to control DMX address when press this button. It is channel mode when double click.



Master-slave mode button.



Automatic mode button



Speed adjustive button



Sound mode button



Up and down button, you can choose the program that you need or numerical.



Strobe button



You can use these number button to adjust numerical in any program mode.



Color choosing button.