

USER MANUAL

PARCAN12

HEXA

Please read carefully before use. * Check www.light-inc.nl for more information.



+ RGBWA+UV

+ 30° BEAM ANGLE

+ DMX+IR CONTROL



WWW.LIGHT-INC.NL

Packaging: Thanks for your purchasing the PARCAN12 HEXA. All the lights have been checked and are in good operating condition. Please check the shipping carton first, because there may be damage occurred during the shipment. Then check the light carefully and be sure that the light is intact and works normally. In the event damage has been found, spare parts are missing or the light works abnormally, please contact us for further instructions. And please don't return the light to the dealer before contacting us.

Introduction: The PARCAN12 HEXA has three operating modes: DMX mode, sound-active mode and Master/Slave mode. And the light has four DMX modes, including 1 channel, 6 channel, 7 channel and 10 channel. There are two built in Auto program and you can see two kinds of shows when you open the Auto mode. In addition, you can connect several pieces in DMX and one in Auto mode, the others in Master/Slave mode. And then all the lights in Slave mode will run following the one in Auto mode. Using fog or special effect smoke, you can see better effect.

Warning!

1. Don't expose the light to rain or moisture, for the sake of preventing the risk of electrical shock or fire.
2. Don't look at the opening light all the time, or it may damage your eyes.

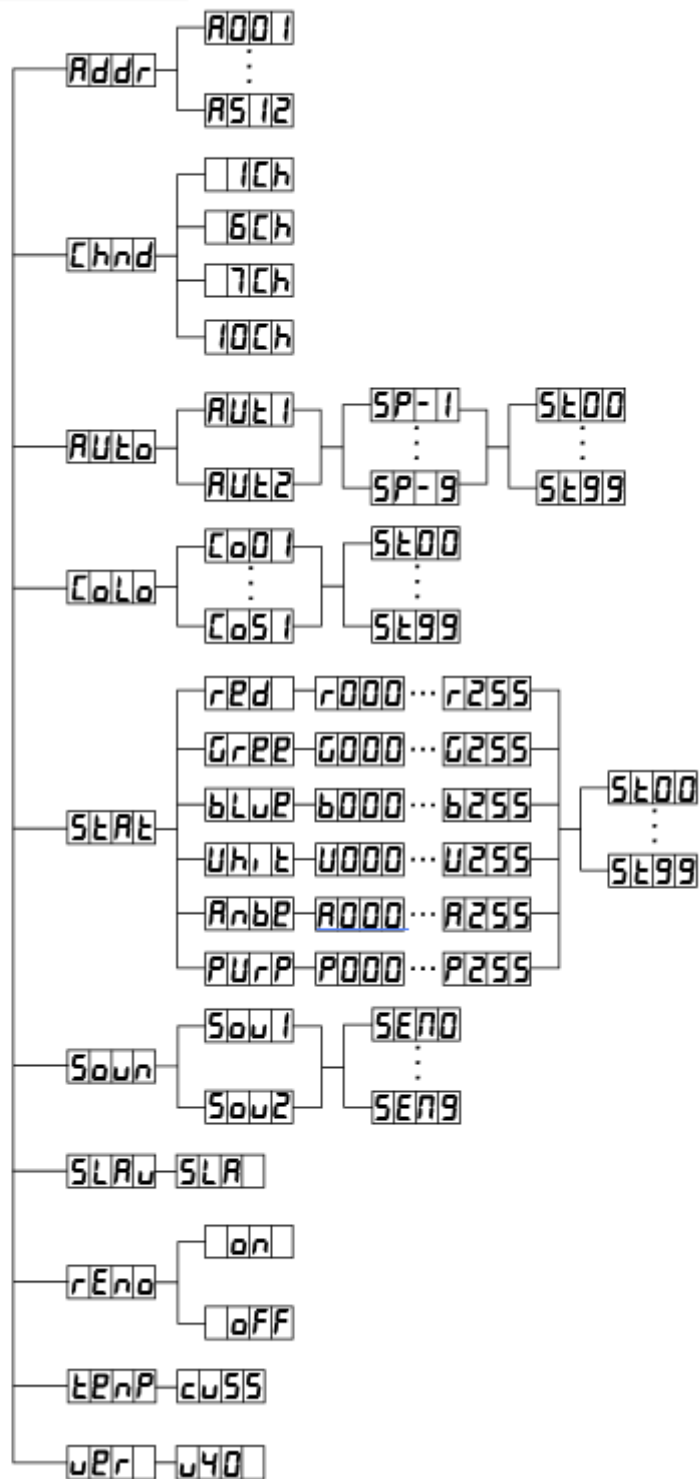
Features

- Color Strobe Effect
- Color Mix Effect
- LED Chases (Adjustable Speeds)
- Electronic Dimming 0-100%
- Built in Microphone
- DMX-512 protocol
- Four DMX Modes
- 3 Operating Modes - Sound Active, Master/Slave Mode, and DMX Control
- DMX-512 Protocol Compatible
- Digital Display for Address and Function Setting

Model

- Light Source: 12pcs , 12W 6 in 1 LED
- Beam Angle: 30°
- Life Time: 80000-100,000 hours
- Dimming 0-100%with regulated constant color control
- Strobe: 10 Flashed per second (any color)
- Operation Mode: DMX 512,Manual.sound.internal program
- DMX control: 4 DMX mode (1CH,6CH,7CH,10CH)
- Control panel: Digital 4 characters alphanumeric
- Input voltage: AC100-240V, 50-60HZ (Power supply switch)
- Max Power: 110W
- Maximum Ambient Temperature: 40°C
- G.W: 3.4kg

On Board System



Addr - DMX Address Setting via control board

1. Press the MENU button and UP button or DOWN button until "Addr" is showed, then press ENTER.

2. "Axxx" now is showed, "xxx" represents the showed address. Press the UP or DOWN button to select your desired address.

Chnd - You can select your desired channel in this menu.

1. Press the MENU button and UP button or DOWN button until "Chnd" is showed, then press ENTER.

2. Press UP or DOWN button to select your desired channel, including 1channel, 6channel, 7channel and 10channel.

Auto - In this menu you can select your desired Auto mode.

1. Press the MENU button and UP button or DOWN button until "Auto" is showed, then press ENTER.

2. "Autx" now is showed. You can press UP or DOWN button to select your desired auto mode. Then press ENTER to adjust the speed of the Auto mode from speed1 to speed9. And press ENTER again, you can adjust the sensitivity of the Auto mode from 0 to 99.

Colo - In this menu, you can select your desired color mode.

1. Press the MENU button and UP button or DOWN button until "CoLo" is showed, then press ENTER.

2. Either "Co XX" or "XX" representing a number between 1-51 will be showed. Press the UP or DOWN buttons to select your desired static color.

Stat- In this menu, you can select your desired static color mode and strobe mode

1. Press the MENU button and UP button or DOWN button until "Stat" is showed, then press ENTER.

2. There will be five options. Press ENTER to select the option and then press UP or DOWN button to select the value you desire as below.

1) red~R000~R255

2) gree~G000~G255

3) blue~B000~B255

4) uhie~U000~U255

5) anbe~A000~A255

6) purp~P000~P255

Then press ENTER to adjust the sensitivity from 0 to 99.

Soun - In this menu, you can select your desired sound mode.

1. Press the MENU button and UP button or DOWN button until "Soun" is showed, then press ENTER.

2. "Soux" now is showed, and you can select sound mode by pressing UP or DOWN button. Then press ENTER to adjust the sensitivity of the sound mode from 0 to 9.

SLav- In this menu, you can select the Master/slave mode.

1. Press the MENU button and UP button or DOWN button until "SLav" is showed, then press ENTER.

2. "Sla " now is showed, and Slave mode is confirmed. It will be slaved by auto mode, sound mode and chase mode.

reno - In this menu, you can select to close or open the remote control.

1. Press the MENU button and UP button or DOWN button until "reno" is showed, then press ENTER.

2. "on" or "off" now is showed, then you can select to close or open the remote control.

temp - This menu will display the working temperature.

1. Press the MENU button and UP button or DOWN button until "temp" is showed, then press ENTER.

2. "cuXX " now is showed. "XX" represents the working temperature. When the working temperature is above 55 degrees, then the fans will start working and the cooling function will be opened.

uer- This will display the software version.

1. Press the MENU button and UP button or DOWN button until "uer" is showed, then press ENTER.

2. The software version will be showed.

DMX control mode

DMX Mode 1:1CH

Channel	Value	Description
ch1	1 – 4	red
	5 – 9	green
	10 – 14	blue
	15 – 19	Macro Color 1
	20 – 24	Macro Color 2
	25 – 29	Macro Color 3
	30 – 34	Macro Color 4
	35 – 39	Macro Color 5
	40 – 44	Macro Color 6
	45 – 49	Macro Color 7
	50 – 54	Macro Color 8
	55 – 59	Macro Color 9
	60 – 64	Macro Color 10
	65 – 69	Macro Color 11
	70 – 74	Macro Color 12
	75 – 79	Macro Color 13
	80 – 84	Macro Color 14
	85 – 89	Macro Color 15
	90 – 94	Macro Color 16
	95 – 99	Macro Color 17
	100 – 104	Macro Color 18
	105 – 109	Macro Color 19
	110 – 114	Macro Color 20
	115 – 119	Macro Color 21
	120 – 124	Macro Color 22
	125 – 129	Macro Color 23
	130 – 134	Macro Color 24
	135 – 139	Macro Color 25
	140 – 144	Macro Color 26
	145 – 149	Macro Color 27
	150 – 154	Macro Color 28
	155 – 159	Macro Color 29
	160 – 164	Macro Color 30
	165 – 169	Macro Color 31
	170 – 174	Macro Color 32
	175 – 179	Macro Color 33
	180 – 184	Macro Color 34
	185 – 189	Macro Color 35
	190 – 194	Macro Color 36
	195 – 199	Macro Color 37
	200 – 204	Macro Color 38
	205 – 209	Macro Color 39
	210 – 214	Macro Color 40
	215 – 219	Macro Color 41
	220 – 224	Macro Color 42
	225 – 229	Macro Color 43
	230 – 234	Macro Color 44
	235 – 239	Macro Color 45
240 – 244	Macro Color 46	
245 – 249	Macro Color 47	
250 – 255	Macro Color 48	

DMX Mode 2:6CH

Channel	Value	Function
ch1	0-255	Red (0%-100%)
ch2	0-255	Green (0%-100%)
ch3	0-255	Blue (0%-100%)
ch4	0-255	White (0%-100%)
ch5	0-255	Amber (0%-100%)
ch6	0-255	Purple (0%-100%)

DMX Mode 3:7CH

Channel	Value	Function
ch1	0-255	dimmer (0%-100%)
ch2	0-255	Red (0%-100%)
ch3	0-255	Green (0%-100%)
ch4	0-255	Blue (0%-100%)
ch5	0-255	White (0%-100%)
ch6	0-255	Amber (0%-100%)
ch7	0-255	Purple (0%-100%)

DMX Mode 4:10CH

Channel	Value	Function
ch1	0-255	dimmer (0%-100%)
ch2	0-255	Red (0%-100%)
ch3	0-255	Green (0%-100%)
ch4	0-255	Blue (0%-100%)
ch5	0-255	White (0%-100%)
ch6	0-255	Amber (0%-100%)
ch7	0-255	Purple (0%-100%)
ch8	0-50	Dimmer
	51-101	Run auto mode 1
	102-152	Run auto mode 2
	153-203	Run sound mode 1
	204-255	Run sound mode 2
ch9	0-255	When CH 7 value=51-152, CH 8 adjust speed (0-255, from slow to fast). When CH 7 value=153-255, CH 8 adjust sound sensitivity (0-29=close,30-255=low to high)
ch10	0-9	No strode
	10-255	Strode from slow to fast

IR Controller



Power on/off button



DMX button, to control DMX address when press this button. It is channel mode when double click.



Master-slave mode button.



Automatic mode button



Speed adjustive button



Sound mode button



Up and down button, you can choose the program that you need or numerical.



Strobe button



You can use these number button to adjust numerical in any program mode.



Color choosing button.